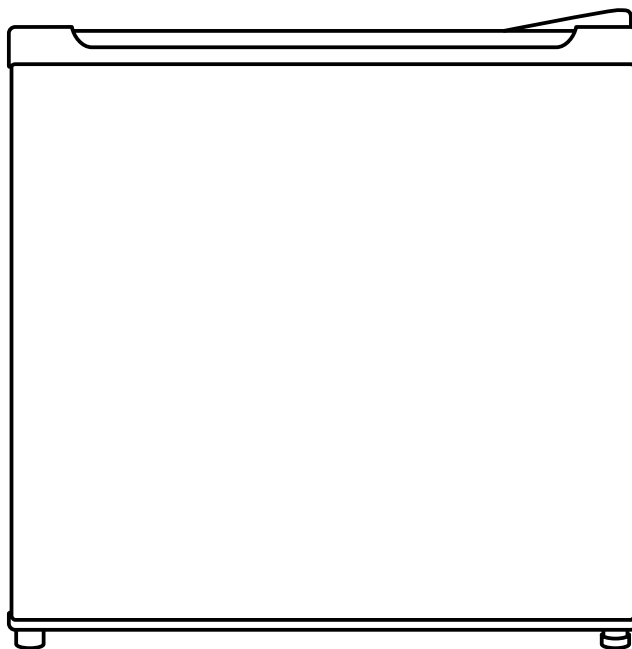




Refrigerator instruction manual

KF-090



* Picture for reference only to prevail in kind.

* Please abide by the rules and safety precautions in this manual.

* Before use, be sure to read the safety precautions.

* Before turning on the power, first read this manual thoroughly, and retain for reference.

KANEDA

Dear customer,

Thank you for buying KANEDA refrigerator. To ensure that you get the best results from your new fridge, please take time to read through these simple instructions in this booklet.

Please ensure that the packaging material is disposed of in accordance with the current environmental requirements.

If the fridge is visibly damaged, do not connect it to the power supply, contact the store from where you purchased the appliance.

CONTENTS

1. IMPORTANT SAFETY INSTRUCTIONS	P.2-3
2. NAME OF THE PARTS	P.4
3. INSTALLATION	P.5
3.1. POSITIONING	
3.2. HOW TO INSTALL	
3.3. ELECTRICAL CONNECTION	
4. OPERATION AND MAINTENANCE	P.6-8
4.1. TEMPERATURE REGULATION	
4.2. STORING FOOD AND DRINK	
4.3. STORING FROZEN FOOD / FREEZING FRESH FOOD	
4.4. IMPORTANT	
4.5. ICE	
4.6. CARE REQUIREMENT FOR BEST PERFORMANCE	
4.7. DEFROSTING FOOD	
4.8. DEFROSTING THE APPLIANCE	
4.9. PROLONGED PERIODS OF DISUSE	
4.10. CLEANING THE APPLIANCE	
5. TROUBLESHOOTING	P.9
6. HOW TO DISPOSE OF THE PACKING MATERIALS	P.10
7. TECHNICAL INFORMATION AND CIRCUIT DIAGRAM	P.10

1. IMPORTANT SAFETY INSTRUCTIONS

IMPORTANT SAFETY INSTRUCTIONS



To reduce the risk of fire, electrical shock, or injury follow these basic precautions when using your product.

- 1) **WARNING**----Keep ventilation openings, in the appliance enclosure or in the built-in structure, clear of obstruction.
- 2) **WARNING**----Do not use mechanical devices or other means to accelerate the defrosting process, other than those recommended by the manufacturer.
- 3) **WARNING**----Do not damage the refrigerant circuit to increase the risk of a leak when handle, move, clean and use of product.
- 4) **WARNING**----Do not use electrical appliances inside the food storage compartments of the appliances, unless they are of the type recommended by the manufacturer.
- 5) **WARNING**----**DANGER**: Never allow children to play with, operate, or crawl inside the product, before you throw away your old product:
 - Take off the doors
 - Leave the shelves in place so that children may not easily climb inside.
- 6) The appliance has to be unplugged before carrying out user maintenance to the appliance.
- 7) This appliance is not intended for use by persons (including children) with reduced physical, sensory or mental capabilities, or lack of experience and knowledge, unless they have been given supervision or instruction concerning use of the appliance by a person responsible for their safety. Children should be supervised to ensure that they do not play with the appliance. Cleaning should not be made by children without supervision.
- 8) If the POWER CORD is damaged, it must be replaced by the manufacturer, its service agent or similar qualified persons in order to avoid a hazard.
- 9) Please abandon the product according to local regulations as the unit contains flammable blowing gas and refrigerant.
- 10) Follow local regulations regarding disposal of the appliance due to flammable refrigerant and blowing gas. All refrigeration products contain refrigerants, which under the guidelines of federal law must be removed before disposal. It is the consumer's responsibility to comply with federal and local regulations when disposing of this product.
- 11) This appliance is intended to be used in household and similar environments; such as:
 - staff kitchen areas in shops, offices and other working environments;
 - farm houses and by clients in hotels, motels and other residential type environments;
 - bed and breakfast type environments;
 - catering and similar non-retail applications.

1. IMPORTANT SAFETY INSTRUCTIONS

12) Do not store or use gasoline or any inflammable liquors and liquids inside or in the vicinity of product.

13) Do not use extension cords or ungrounded (two pin) adapters with this appliance. If the power cord is too short, have a qualified electrician install an outlet near the appliance. Use of an extension can negatively affect the performance of this appliance.

Do not store explosive substances such as aerosol cans with a flammable propellant in this appliance.

Warning: This appliance can not be used in camping.

Warning: This appliance can not be used in public transportations.

Warning: The appliance shall be used for indoor only.

- The refrigerant and insulation blowing gas are flammable. When disposing of the appliance, do so only at an authorized waste disposal centre. Do not expose to flame.
- Cleaning shall not be made by children without supervision.

Refrigerant

The refrigerant isobutene (R600a) is contained within the refrigerant circuit of the appliance, a natural gas with a high level of environmental compatibility, which is nevertheless flammable. During transportation and installation of the appliance, ensure that none of the components of the refrigerant circuit becomes damaged.

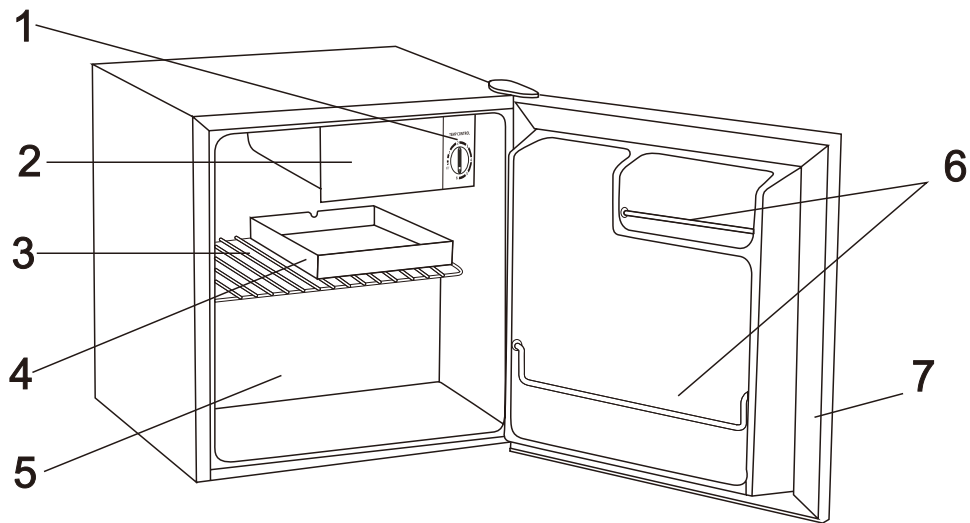


Warning; Risk of fire/flammable materials

If the refrigerant circuits become damaged:

- Avoid open flames and sources of ignition.
- Thoroughly ventilate the room in which the appliance is situated.

2.NAMES OF PARTS



1. Thermostat Control Knob
2. Chiller Compartment
3. Wire Shelf
4. Drip Tray
5. Refrigerator Compartment
6. Door Bin
7. Door Gasket

3. INSTALLATION

3.1. Positioning

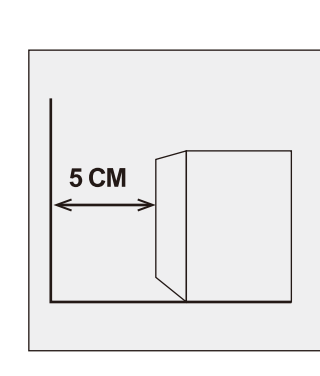
Position the appliance away from heat sources such as stoves, radiators, direct sunlight etc. Before connect the power supply, remove the supporting base and then screw down the front foot of appliance correctly to make it leveled correctly.

3.2. How to install

Install the refrigerator in a convenient location away form extreme heat and cold.

Allow sufficient clearance between the refrigerator and side wall so the door(s) will open without obstruction. Refrigerator is not designed for recessed installation. Select a space with strong level floor.

Allow at least 5 cm of space between the refrigerator's side and the wall. The appliance must be correctly connected to the power supply.



3.3. Electrical connection

Before connecting the appliance to the power supply, ensure that the voltage and frequency as indicated on the data plate correspond to those of the electrical mains.

Always connect the appliance to an efficient earthing system.

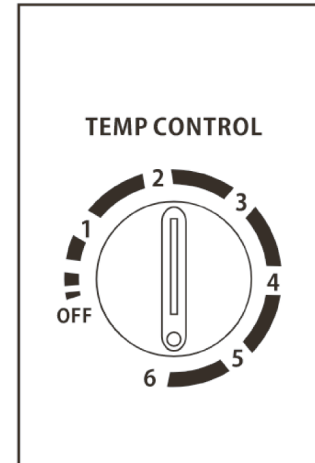
Put the appliance in upright position for at least 2 hours before switching it on.

4. OPERATION AND MAINTENANCE

4.1. Temperature Control Panels

Setting the Temperature Control

- The temperature control maintains the temperature in the refrigerator. Setting the control at "1" is the warmest setting. Setting the control at "6" is the coldest setting. Initially set the Control at "4".
- Allow 24 hours for the refrigerator to reach the operating temperature. If you want a colder or warmer temperature, move the dial one setting at a time. Moving the control to "OFF" stops cooling but does not turn off the power to the refrigerator. Setting the control too high may cause freezing in the refrigerator depending on the room temperature.



Note:

If the unit is unplugged, it lost power, or it turned off, you must wait 3 to 5 minutes before restarting the unit. If you attempt to restart before this time delay, the refrigerator will not start.

4.2. Storing food and drink

For optional use of the refrigerator compartment please observe the following instructions:

1. Never put hot liquids or food in the refrigerator;
 2. Cover or wrap food prior to storage
 3. Arrange food so that air can circulate freely inside the compartment.
- Meat (all types:) Wrap in protective material and store time should be less than two days. Cooked food, cold meals etc. must be covered well and stored in proper position in the refrigerator.
- Fruit and vegetables should be cleaned and stored in the relative position. Bananas, potatoes, onions and garlic should not be stored in the refrigerator unless wrapped first.

4. OPERATION AND MAINTENANCE

4.3. Storing frozen food/freezing fresh food

Appliances with compartments can be used to store frozen food for a maximum time of one month. The interval between purchase and placing the food in the freezer should be as short as possible.

Never exceed the storage period indicated on the food packaging.

Only open the freezer door when necessary and as quick as possible.

In the event of operation after prolonged periods of disuse, switch on the appliance under no-load conditions for 2-3 hours taking care to set the thermostat knob to the highest setting, then place food in the refrigerator as required and adjust the thermostat knob to an intermediate setting.

4.4. Important

If food stored in the compartment is defrosted, e.g. due to a power failure, it should be consumed within a short time, even if not completely thawed.

4.5. Ice

The appliance is supplied with an ice tray to make ice, of which the process required at least 24 hours. If the ice tray freezes onto the from the compartment, never use metal and/or sharp objects to detach the tray from the compartment.

4.6. Care requirement for best performance , such as

Loadings in the refrigerating appliance should not exceed its storage volume.

If the refrigerating appliance stopped for a long time(due to interruption of power supply or failure of the refrigerating system), the frozen food (fresh food) had better to be disposed of according to user's need.

It is better to arrange the food when storage, to avoid cross-contamination.

Some types of fresh vegetables and fruits are sensitive to cold; therefore they are not suitable for storage in chill compartment.

4.7. Defrosting food

For optional cooking results with frozen food, we recommend defrosting inside the refrigerator or at ambient temperature, the latter obviously require less time.

If you need to save time and cook food in the shortest time, you can cook small items directly from frozen by lengthening the cooking time slightly, or put the big size items in a microwave oven to reduce the defrosting time.

4. OPERATION AND MAINTENANCE

4.8. Defrosting the appliance

Frost on the inner cooling walls of the refrigerator is eliminated automatically every time the motor compressor is shut down. Water from melted frost is collected by means of a channel which leads to a water tray installed above the motor compressor at the rear of the unit. Heat generated by the motor compressor ensures evaporation of the water. Periodically clean the defrost water drain outlet in the refrigerator compartment. Frost should be removed from the freezer compartment once it reaches a thickness of over 3-4mm. Never use metal objects to remove the ice as it could damage the appliance.

4.9. Prolonged periods of disuse

If you do not intend to use the appliance for long periods of time. Set the thermostat knob of the "OFF" or "0" position and disconnect the power supply. Then take out the foods, defrost and clean the appliance. Leave the door slightly open.

4.10. Cleaning the Appliance

Disconnect the power supply before cleaning the appliance.

Do not use coarse or aggressive cleaning agents as you may damage the surface.

Clean the exterior with cloth.

Remove the detachable accessories in the interior of the appliance and clean with water and liquid detergent. Plastic parts cannot be washed in dishwashers.

Wash the interior of the appliance with wet cloth, adding one or two spoonfuls of vinegar.

After cleaning, connect the appliance to power supply and reload it.

5. TROUBLESHOOTING

Defective operation of the appliance is not always due to a technical fault but is often caused by incorrect installation or use. To avoid unnecessary technical assistance and relative expenses we recommend the following procedures.

5.1. Internal temperature is not cool enough

- Check**
- Make sure that the door closes properly;
 - Make sure that the thermostat setting is correct;
 - Make sure that the refrigerator is not positioned close to heat sources;
 - Make sure that air can circulate freely at the rear of the appliance;
 - Make sure that the condenser is not blocked.

5.2. Internal temperature is too low

- Check**
- Make sure that the thermostat setting is correct.

5.3. Excessive appliance noise level

- Check**
- Make sure that the appliance is leveled correctly.

5.4. Appliance operation failure

- Check**
- Make sure that the thermostat is not set to “OFF” or “0”.
 - Make sure that the power supply is not disconnected;
 - Make sure that the plug is inserted correctly into the mains socket;
 - Make sure that the automatic cut-out on the mains line has not tripped or that the fuse has not broken.
 - Make sure that the power cable is not faulty.

Note:

If the power cable need to be replaced, remove the plug from the power socket and install the new cable, which must be requested from the Service center and installed by a qualified technician; ensure that it is properly connected and fixed.

If problems persist after the above procedures, contact your nearest Technical Assistance department.

6. HOW TO DISPOSE OF THE PACKING MATERIAL

The packing material is recyclable.

The following procedure is recommended:

- dispose of paper, card and carton in the relative containers;
- dispose of plastics in the relative containers.
- If you have no recycling bins in your area then you can put this material in the ordinary bins and/or take it to the appropriate collection centers.

7. TECHNICAL INFORMATION AND CIRCUIT DIAGRAM

TECHNICAL INFORMATION

MODEL	KF-090
CAPACITY	46L
REFRIGERANT	R600a
AMOUNT	21g
RATED VOLTAGE	220-240V~
RATED FREQUENCY	50Hz
RATED CURRENT	1A
NET WEIGHT	14.5kg
BLOWING GAS	Cyclopentane

CIRCUIT DIAGRAM

