

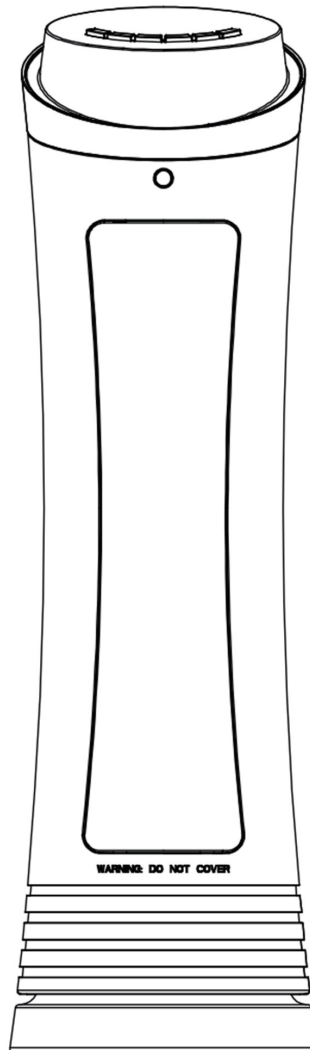


OWNER'S MANUAL

KANEDA

PTC CERAMIC HEATER

MODEL : KH-223ER



READ AND SAVE THESE INSTRUCTIONS

Attention: Pictures in the IM are for reference only.

IMPORTANT SAFEGUARDS


When using any electrical appliance, basic safety precautions should always be followed, including the following :

1. To ensure familiarity with the controls, safety features, and operation of your heater - Read all instructions before using.
2. To reduce hazard of injury due to electric shock
 - 2.1 Danger of shock exists even when the appliance is switched off. ALWAYS unplug when not in use.
 - 2.2 A heater should never be used under conditions where it may be immersed, or come in contact with water. Similarly do not plug in your heater if its surfaces are damp.
 - 2.3 Do not insert foreign objects through the intake or discharge grilles.
 - 2.4 Do not operate the heater with a damaged cord-set, or if it has been dropped, or damaged in any manner. Return it to our repair centre for inspection, repair and testing.
 - 2.5 Close supervision is required when any appliance is used by or near children.
 - 2.6 Disconnect the cord from the outlet before cleaning.
 - 2.7 Unplug heater by grasping plug and pulling it from the outlet.
 - 2.8 When storing your heater, keep it in a cool, dry place.
 - 2.9 This appliance plug should be 13Amp, ensure using the same power plug or above. Otherwise, it may cause danger.

3. To reduce hazard of injury or property damage due to heat, fire, or explosion:
 - 3.1 Position your heater away from furniture or loose hanging materials. Do not drape clothing or towels, etc, over the heater to dry.
 - 3.2 Keep the rear grille out from walls or drapes so as not to block the air intake.
 - 3.3 Use of an extension cord is not recommended. However, if it is absolutely necessary ensure the cord is:
 - The cross section of the cord should not be less than 1.0mm, the carrying capacity must be 13Amp.
 - As short as possible (long cords coiled up can be overheat, as well as cause tripping accidents)
 - No more than one appliance should be used in one power supply at a time.
 - 3.4 Do not use in the presence of explosive or flammable vapors.
 - 3.5 Do not run in locations when the heater will be left unattended for long periods of time, (for example - several weeks in an unoccupied summer cottage).
 - 3.6 Use the heater on flat, dry surfaces only.
 - 3.7 Do not use attachments or filters not recommended.
 - 3.8 Loose connections between the heater plug and the electrical outlet may cause the plug to overheat. Replace any worn electrical receptacles promptly.

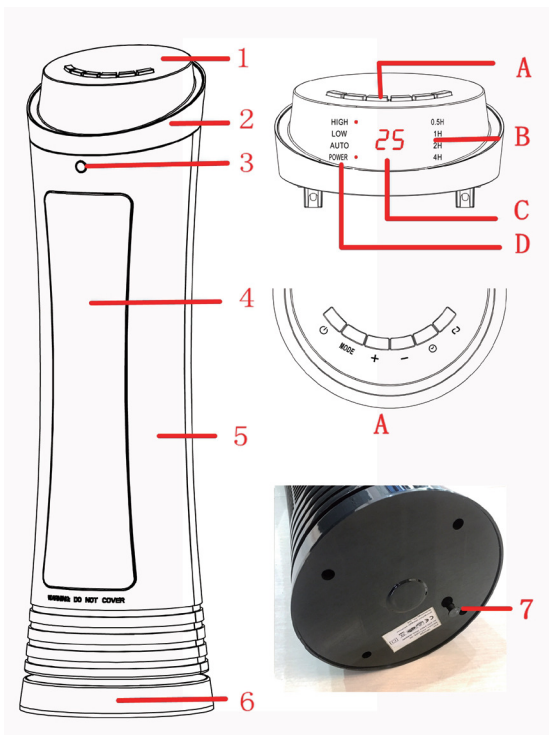
- 3.9 Use on 220-240V~ 50/60Hz power supply.
- 3.10 Ensure no other appliances are plugged into the same circuit as your heater. A circuit overload could occur, resulting in dimmed lights, blown fuses, tripped circuit breakers, or fire hazard.
- 3.11 Route the cord so that it will not be walked on, or pinched by furniture.
- 3.12 This product is intended for normal household use only.
- 3.13 This product cannot be used in kitchen or washroom etc. moisture areas,

Warning

1.  In order to avoid overheating, do not cover the heater.
2. If the supply cord is damaged, it must be replaced by the manufacturer or its service agent or a similarly qualified person in order to avoid a hazard.
3. This appliance can be used by children aged from 8 years and above and persons with reduced physical, sensory or mental capabilities or lack of experience and knowledge if they have been given supervision or instruction concerning use of the appliance in a safe way and understand the hazards involved. Children shall not play with the appliance. Cleaning and user maintenance shall not be made by children without supervision.
4. The heater must not be located immediately below a socket- outlet.
5. Do not use this heater in the immediate surroundings of a bath, a shower or a swimming pool.

6. **CAUTION** -- Some parts of this product can become very hot and cause burns. Particular attention has to be given where children and vulnerable people are present.
7. Children under 8 years of age are not suitable to operate this heater.

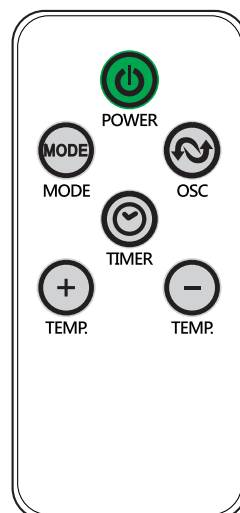
PART FIGURE :



1. Control panel
 2. Carry handle
 3. Remote control signal receiver
 4. Air outlet
 5. Body
 6. Base
 7. Tip over switch
-
- A. Control Panel
 - B. Timer (0.5 hour -7.5 hours)
 - C. Room Temperature
 - D. Power indicator light and mode (High, Low, Auto)

REMOTE CONTROL :

1. Install one battery (included) into the remote control.
2. Most of the functions performed with the Remote Control work identically to the Manual Controls.
3. When the remote control not in used, store it into remote control storage at rear cover (See FIGURE 1A)



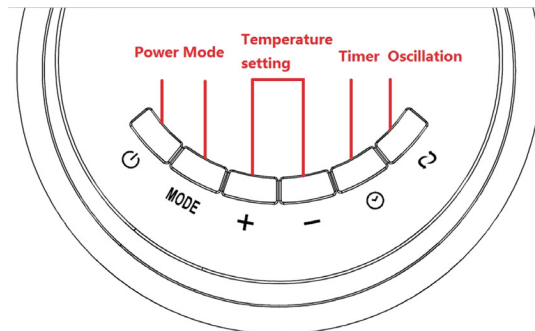
(Figure 1)



(Figure 1A)

OPERATION :

The HEATER can be operated by the manual controls located on the Control panel (as shown in FIGURE 2) or by your remote control (shown in FIGURE 1).




(FIGURE 2)

1. Place the Heater on a firm, level surface.
2. Insert the plug into a sized electrical socket (must can bear 2000W or above) . Turn on the on/off switch in the rear of the unit (FIGURE 3), when the heater is standing by, the indicator light will light.



(FIGURE 3)

3. Power  : Turn the Heater ON by pressing the Power button, the LED display will show the current room temperature. The power is under High, press again that is power off. All indicator lights turn off except the power light. After power off, the fan blade will still be working for 30 seconds. Please press on/off switch to "O" after fan blade stop working. (See FIGURE 2 and FIGURE 3)

OPERATION :

4. **MODE:** Pressing the "MODE" button once, the Power is Low, pressing the "MODE" button twice, the heater turns into "AUTO" mode, pressing "MODE" button the third times, the heater turns into "high" mode.

5. **TEMPERATURE Setting :** (FIGURE 2) To adjust SET temperature, press "MODE" button two times, the Heater turns into "AUTO", and power indicator lines will "blending" 30 seconds. Press the TEMP. Button to (+) to increase the desired temperature and press TEMP. (-) to decrease the desired temperature (15-35°C). When all things are set, the LED will be twinkle 5 times, then return to normal status.

When the air temperature reaches the SET temperature, the heater will cut off.

When the air temperature drops the SET temperature, the unit will operate again.

Note : It is normal for Heater to cycle ON and OFF as it maintains the SET temperature.

6. **TIMER FUNCTION :** The timer function allows you to set the length of operation from 0.5 hour to 7.5 hours. Press "Timer" button once, timer is set to be 0.5 hour. Press it again, 0.5 hour will be added. The corresponding indicate light will be on. For example, if timer set to be 4.5 hour, then 0.5H and 4H indicate light will be on.

OPERATION :

- 7. OSCILLATION FUNCTION :** This function will work in any mode. Pressing the "OSC" button will allow the Heater to oscillate side by side. To stop the oscillation, press the "OSC" button once more.
- 8.** For additional safety, there is a TIP OVER SWITCH under the bottom of Heater, when the Heater falls down, the Heater will stop working, when put it back, and press "POWER" button to rework again. Check the heater is not being damaged before use.

Remark : When switching the Heater off, the Fan of Heater will continue to work around 30 seconds which help to cool down the Heater.

SAFETY FEATURES :

1. A thermal overload protector is built in to prevent overheating;
2. When an overheat temperature is reached, the Heater will be automatically shut off. It can only resume operation when the user resets the unit.(See Reset instructions below)

To Reset Heater :

1. Unplug the Heater and wait 10 minutes for the unit to cool down. Inspect it and remove any objects on or adjacent to the heater that may cause overheating.
2. After 10 minutes plug the unit in again and operate normally.
3. Plug in the appliance and switch it on. If the appliance can't operate normally, remove the plug immediately from the socket and have the Heater serviced by an appointed service only.

MAINTENANCE :

WARNING :

ALWAYS UNPLUG THE UNIT BEFORE MOVING OR SERVICING. DO NOT IMMERSE THE POWER CORD, PLUG AND THE HEATER INTO WATER!

Cleaning :

Clean the heater grilles with the vacuum cleaner. This will remove lint and dirt from inside of the heater. The rear cover of the heater can be removed, and clean the mesh air filter by vacuum cleaner or under water, please remember to dry it completely before mount it back.

DO NOT ATTEMPT TO DISMANTLE HEATER. Clean the body of heater with a soft cloth.

Caution : Do not use gasoline, benzine, thinner, harsh cleaners, etc. and never use alcohol or solvents for cleaning, it will damage the heater.

Storage :

Store the heater with this instruction manual into the original gift box to a cool, dry place, and far away from children.

TROUBLE SHOOTING :

1. If the heater shuts off unexpectedly or fails to operate, one of the above-mentioned safety features may be activated to prevent overheating. Please try to reset the unit.
2. Be sure the power cord is plugged into a correct power supply. And the socket is suitable for the uses of 2000W or above.
3. Check the thermostat setting. The heater may be off because it reached the desired temperature setting.

DISPOSAL : 

Do not dispose this product as unsorted municipal waste. Collection of such waste separately for special treatment is necessary.

This product must not be disposed together with the domestic waste. This product has to be disposed at an authorized place for recycling of electrical and electronic appliances.

By collecting and recycling waste, you help save natural resources, and make sure the product is disposed in an environmental friendly and healthy way.

MAIN TECHNOLOGY SPECIFICATIONS :

Power supply: 220-240V ~ 50/60Hz

Model no.: KH-223ER

Rated voltage and frequency: 220-240V~50/60Hz

Rated power: 2000W

Size : 180*180*614mm

Net Weight : 2.62KG

Power adjustment range (W) and working method				
OFF	LOW	HIGH	LOW WITH OSCILLATION	HIGH WITH OSCILLATION
0	1200	2000	1200	2000